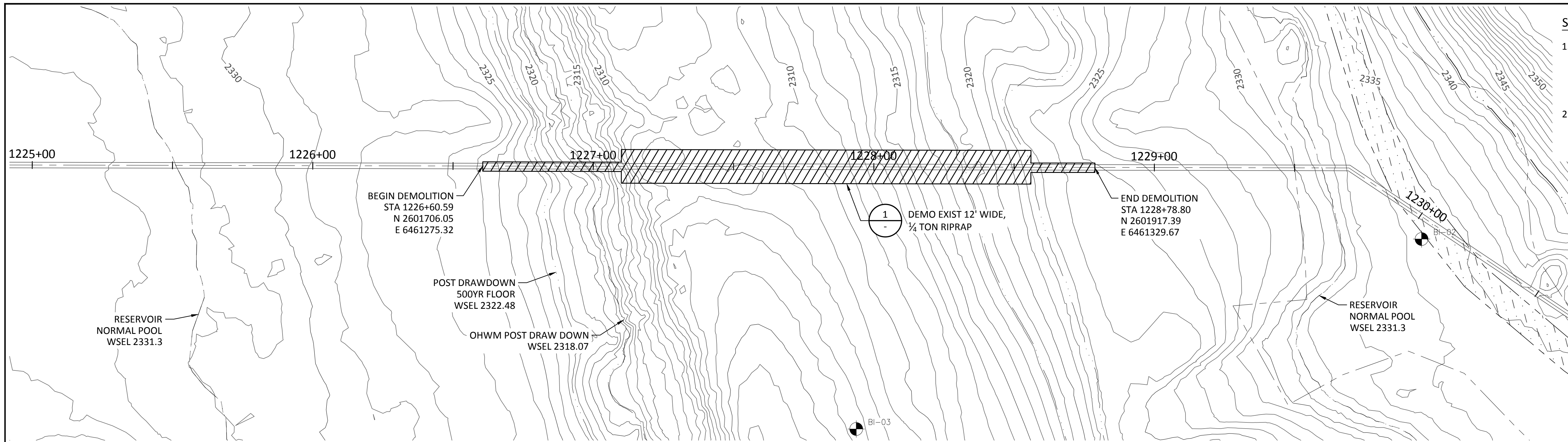


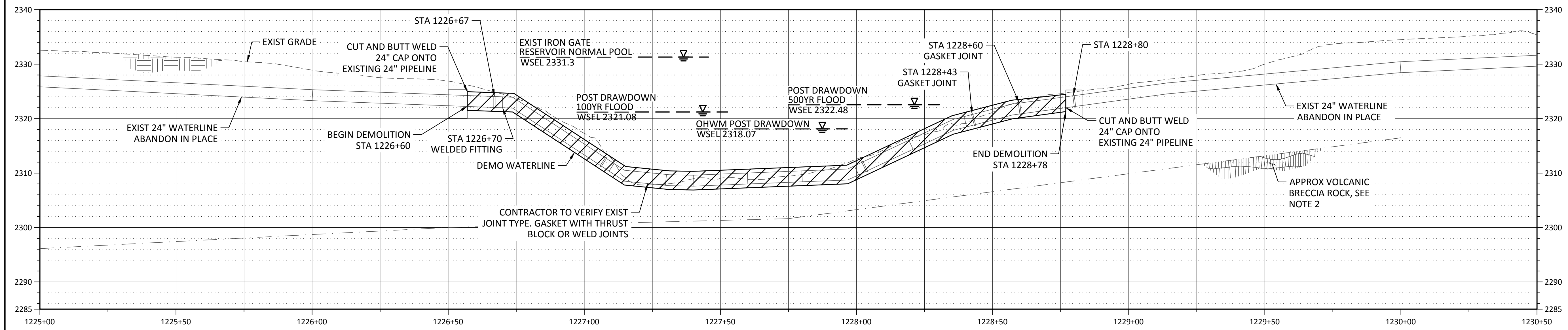
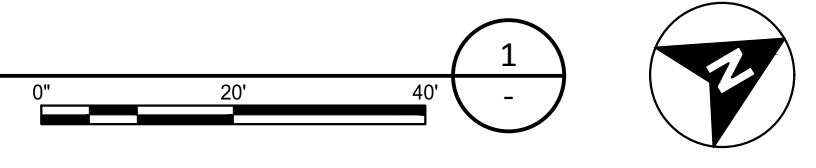
SHEET NOTES:

1. CONTRACTOR SHALL DEMOLISH AND DISPOSE OF EXISTING 24-INCH DIAMETER PIPELINE AFTER THE NEW PIPELINE IS IN SERVICE AND OPERATIONAL AS APPROVED BY OWNER. DISPOSE OF MATERIALS OFFSITE AT APPROVED DISPOSAL LOCATION.
2. THE EXISTING ROCK LINE IS BASED SOLELY UPON EXISTING BORINGS COMPLETED FOR THE PROJECT. SEE SPECIFICATIONS FOR DETAILED BORING INFORMATION.



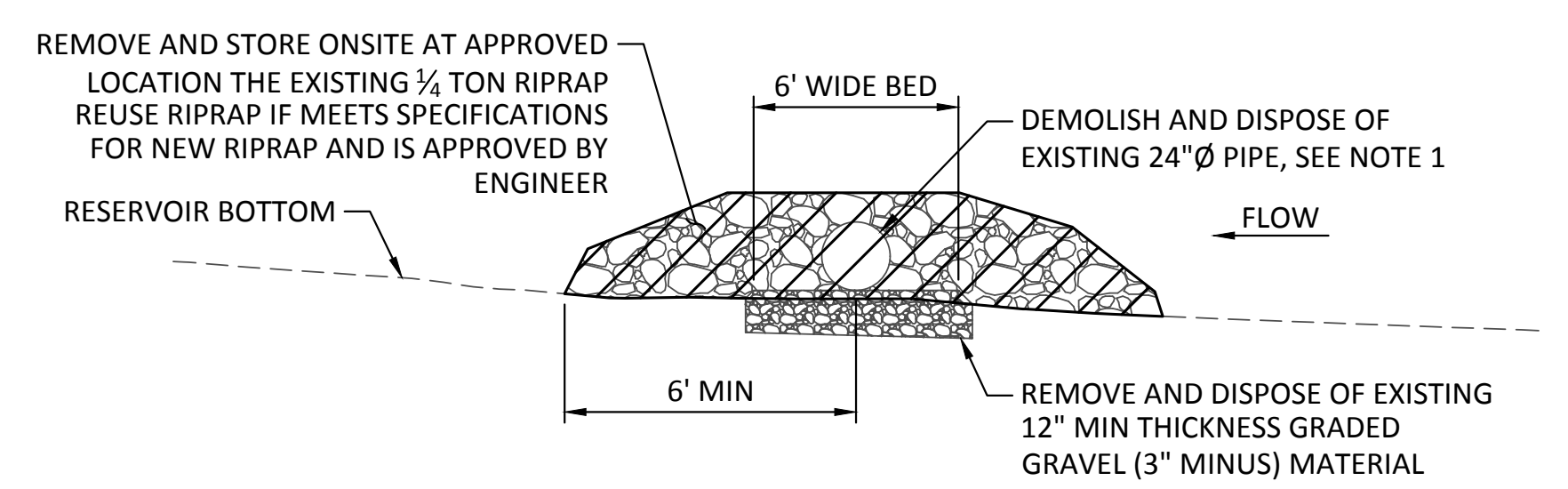
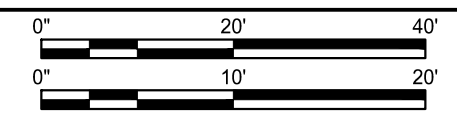
PLAN

SCALE: 1" = 20'



PROFILE

SCALE: HORIZ 1" = 20'
VERT 1" = 10'



REV	DATE	BY	DESCRIPTION
1	6/10/22	JAL	REVISED - ISSUED FOR CONSTRUCTION
0	5/25/22	JAL	ISSUED FOR CONSTRUCTION

WARNING

IF THIS BAR DOES NOT MEASURE 1" THEN DRAWING IS NOT TO SCALE.



KLAMATH RIVER RENEWAL CORPORATION
CITY OF YREKA WATER LINE

D101 - DEMOLITION WATERLINE PLAN AND PROFILE

DESIGNED J. BURNS
DRAWN R. WOOD
CHECKED J. LOWY
PROJECT DATE 5/25/22

DRAWING
D101
JOB NO: 000000

Path: C:\Vault20\Klamath River Renewal Corp\City of Yreka Water Line\D101.dwg Plot date: Jun 10, 2022 12:25pm, CAD User: JoeNaves