

**SHEET SYMBOLS**

**PLAN**  
SCALE: 1/2" = 1'-0"

**SECTION IDENTIFICATION**

(1) SECTION CUT ON DRAWING C102:

(2) ON DRAWING C103 THIS SECTION IS IDENTIFIED AS:

**SECTION VIEW**  
SCALE: 1/2" = 1'-0"

**DETAIL IDENTIFICATION**

(1) DETAIL CALL-OUT ON DRAWING C102:

(2) ON DRAWING C103 THIS SECTION IS IDENTIFIED AS:

**DETAIL**  
SCALE: 1/2" = 1'-0"

\*NOTE: IF PLAN AND SECTION (OR DETAIL CALL-OUT AND DETAIL) ARE SHOWN ON SAME DRAWING. DRAWING NUMBER IS REPLACED BY A LINE.

**STANDARD DETAIL IDENTIFICATION**

(1) DETAIL CALL-OUT ON PLAN OR SECTION:

(2) ON DETAIL DRAWINGS, IDENTIFIED AS:

**DETAIL**

**ELEVATION/IMAGE IDENTIFICATION**

**SITE PLAN LINE TYPES**

|  |               |   |
|--|---------------|---|
|  | X — X         | FENCE LINE  |
|  | P — P         | OVERHEAD POWER  |
|  | 455           | MAJOR CONTOUR   |
|  | 456           | MINOR CONTOUR   |
|  | ---           | EDGE OF WATERLINE   |
|  | TOE           | TOE OF SLOPE  |
|  | TOB           | TOP OF BANK   |
|  | SS — SS       | SANITARY SEWER  |
|  | SD — SD       | STORM DRAIN   |
|  | EP — EP       | EDGE OF PAVEMENT  |
|  | EG — EG       | EDGE OF GRAVEL  |
|  | W             | WATTLE  |
|  | CF — CF       | CONSTRUCTION FENCE  |
|  | GAS           | GAS LINE  |
|  | IRR — IRR     | IRRIGATION LINE   |
|  | WTR           | WATER LINE  |
|  | TEL           | TELEPHONE LINE  |
|  | COM           | COMMUNICATION LINE  |
|  | OHP           | OVERHEAD ELECTRICAL/POWER   |
|  | EUG           | UNDERGROUND ELECTRICAL  |
|  | P/L           | PROPERTY LINE   |
|  | OHP           | EXISTING OVERHEAD POWER LINE  |
|  | OHP&T         | EXISTING OVERHEAD POWER & TELEPHONE LINE                                |
|  | T             | EXISTING OVERHEAD TELEPHONE LINE  |
|  | BT            | EXISTING BURIED TELEPHONE LINE EVIDENCED BY PEDESTALS & WARNING PADDLES |
|  | X — X — X — X | EXISTING FENCE LINE   |
|  | ---           | PROJECT BOUNDARY  |
|  | ○ — ○ — ○ — ○ | TREE PROTECTION FENCE   |
|  | TC            | TURBIDITY CURTAIN   |
|  |               | COFFERDAM   |
|  |               | WETLAND   |

**SITE PLAN SYMBOLS**

|  |   |
|--|---|
|  | ARROW INDICATES DIRECTION OF PLAN NORTH                             |
|  | CONIFER TREE: FIR, SPRUCE, LARCH OR PINE, 8" DIAMETER OR LARGER.    |
|  | DECIDUOUS TREE: COTTONWOOD, HAWTHORN, ASPEN, 8" DIAMETER OR LARGER. |
|  | MANHOLE   |
|  | ELECTRIC BOX  |
|  | STORM DRAIN MANHOLE   |
|  | FIRE HYDRANT  |
|  | YARD HYDRANT  |
|  | SURVEY CONTROL POINT, AS NOTED.                                     |
|  | POLE ANCHOR   |
|  | POWER POLE  |
|  | LIGHT POLE  |
|  | SIGN  |
|  | SURVEY HUB  |
|  | SECTION CORNER  |
|  | BENCH MARK  |
|  | EXISTING HEADWALL   |
|  | EXISTING MONITORING STATION   |
|  | EXISTING FENCE  |
|  | STATE PLANE COORDINATE MARKER                                       |
|  | EXISTING TREE LINE  |
|  | EXISTING BUILDING, STRUCTURES                                       |
|  | EXISTING SECTION CORNER MONUMENT FOUND AS DESCRIBED                 |
|  | EXISTING 5/8" REBAR CONTROL POINT MONUMENT, BORING LOCATION         |
|  | EXISTING HOSE BIB   |
|  | EXISTING PORTABLE IRRIGATION WATER PUMP                             |
|  | EXISTING 6" WATER WELL  |
|  | WELL  |
|  | EXISTING ELECTRICAL OUTLET  |
|  | EXISTING POWER POLE   |
|  | EXISTING TELEPHONE PEDESTAL   |
|  | CONTROL POINT   |
|  | PUMP  |
|  | PUMP  |
|  | TEST PIT LOCATION   |

**MISCELLANEOUS SYMBOLS**

|  |                    |
|--|--------------------|
|  | CHANGE OF PIPE MTL |
|  | END OF PIPE        |
|  | CENTERLINE         |
|  | DIAMETER           |
|  | ANGLE              |
|  | PLATE              |
|  | PLUS/MINUS         |

**ARCHITECTURAL SYMBOLS**

|  |  |
|--|--|
|  | ELEVATION IDENTIFICATION                     |
|  | ELEVATIONS                                   |
|  | SHEET NUMBER                                 |
|  | ROOM NAME                                    |
|  | ROOM IDENTIFICATION                          |
|  | ROOM NUMBER                                  |
|  | KEYNOTE (NUMBER)                             |
|  | WINDOW IDENTIFICATION                        |
|  | WINDOW TYPE (LETTER OR NUMBER)               |
|  | DATUM POINT                                  |
|  | CONTROL POINT OR WORK POINT                  |
|  | TYPE NUMBER ASSEMBLY TAG (WALL, FLOOR, ROOF) |

**MECHANICAL SYMBOLS**

|  |                                 |
|--|---------------------------------|
|  | VALVE REFERENCE                 |
|  | VALVE IDENTIFICATION            |
|  | VALVE LETTER (WHERE APPLICABLE) |

**HATCH SYMBOLS**

|  |  |
|--|--|
|  | ROCK, TYPE AS NOTED (PLAN/SECTION)               |
|  | BED ROCK   |
|  | EXISTING GRADE (SECTION)                         |
|  | NEW SOIL (SECTION)                               |
|  | CONCRETE (SECTION/PLAN)                          |
|  | SAND, GROUT (PLAN/SECTION)                       |
|  | STEEL (SECTION)                                  |
|  | GRATING (PLAN)                                   |
|  | MASONRY (PLAN)                                   |
|  | WOOD, SIZE/TYPE AS NOTED (PLAN)                  |
|  | WOOD, SIZE/TYPE AS NOTED (SECTION)               |
|  | RIP RAP (PLAN/SECTION)                           |
|  | RIGID INSULATION (SECTION)                       |
|  | ASPHALT CONCRETE PAVEMENT SURFACE (PLAN/SECTION) |
|  | GRASS/VEGETATION (PLAN)                          |
|  | BATT INSULATION (SECTION)                        |
|  | NEW CONSTRUCTION                                 |
|  | EXISTING   |
|  | EXISTING TO BE REMOVED OR DEMOLISHED             |
|  | CLEARING AND GRUBBING                            |
|  | ASPHALT  |
|  | GRASS/VEGETATION                                 |
|  | GRAVEL   |

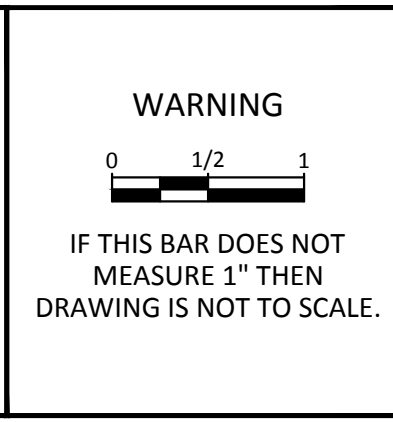
**GENERAL NOTES:**

- ALL SYMBOLS ARE NOT NECESSARILY USED. THIS IS A STANDARD DRAWING SHOWING COMMON SYMBOLS ON THIS PROJECT.
- SCREENING OR SHADING OF WORK IS USED TO INDICATE EXISTING COMPONENTS OR TO DE-EMPHASIZE PROPOSED IMPROVEMENTS TO HIGHLIGHT SELECTED TRADE WORK. REFER TO CONTEXT OF EACH DRAWING FOR USAGE.

|     |         |     |                                   |
|-----|---------|-----|-----------------------------------|
| 1   | 6/10/22 | JAL | REVISED - ISSUED FOR CONSTRUCTION |
| 0   | 5/25/22 | JAL | ISSUED FOR CONSTRUCTION           |
| REV | DATE    | BY  | DESCRIPTION                       |

**WARNING**

IF THIS BAR DOES NOT MEASURE 1" THEN DRAWING IS NOT TO SCALE.



KLAMATH RIVER RENEWAL CORPORATION  
CITY OF YREKA WATER LINE

DESIGNED J. BURNS  
DRAWN R. WOOD  
CHECKED J. LOWY  
PROJECT DATE 5/25/22

STANDARD SYMBOLS

DRAWING

**G004**

JOB NO: 000000

Path: C:\Vault20\Klamath River Renewal Corp\City of Yreka Water Line\G004.dwg Plot date: Jun 10, 2022 12:23pm, CAD User: JoeNaves